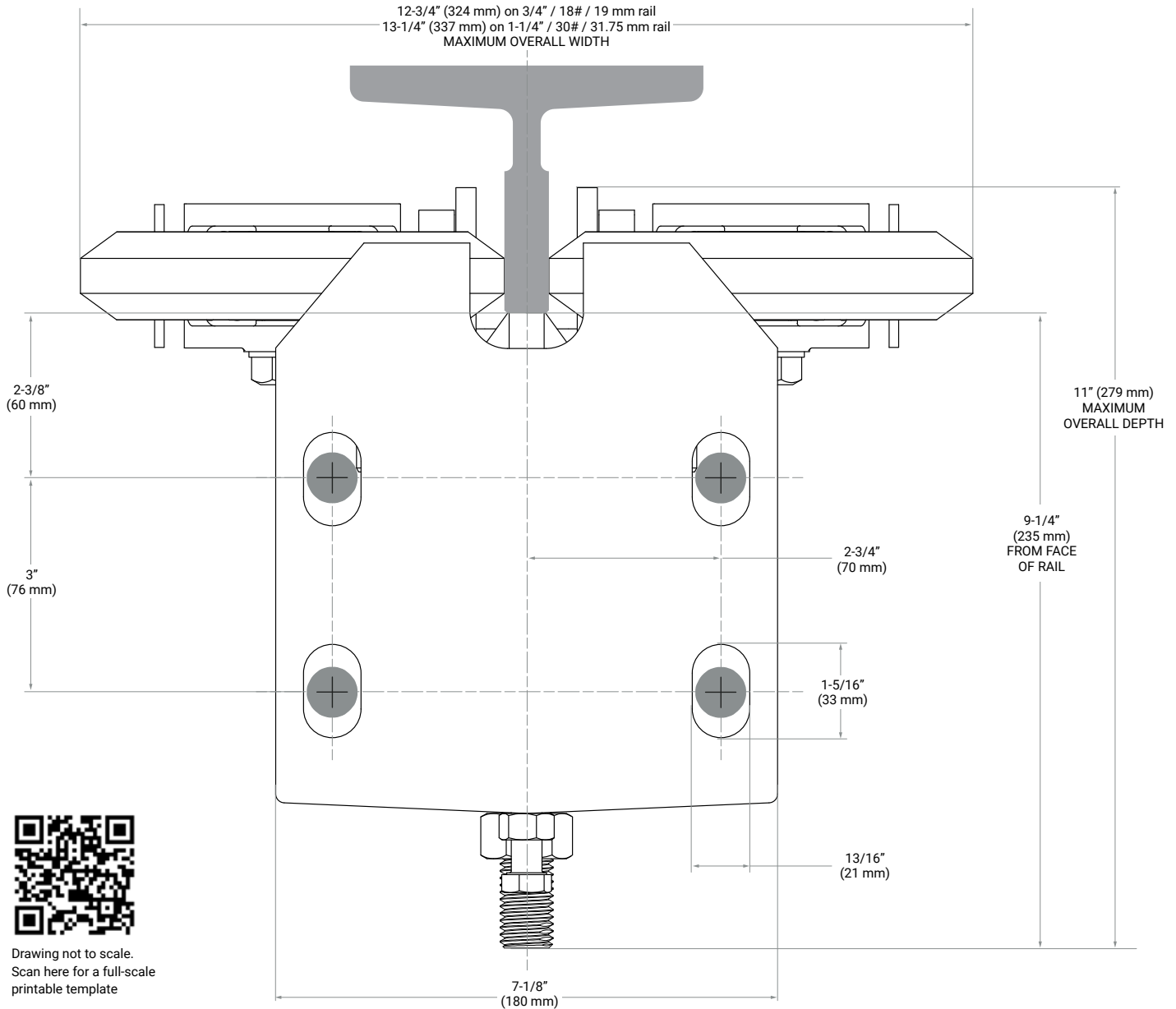




MODEL A

MOUNTING SPECIFICATIONS



The industry's gold standard for elevator ride quality for over 70 years

Designed for elevator cars up to 800 fpm or 10,000 lbs capacity in mid- to high-rise buildings.

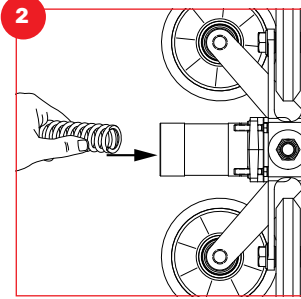
If the bolt pattern above does not line up exactly with your mounting pattern, **Flex-Mount™ Adjustable Adapter Plates** are the best time-saving, and money-saving solution. Contact us to find out more.

INSTALLATION INSTRUCTIONS

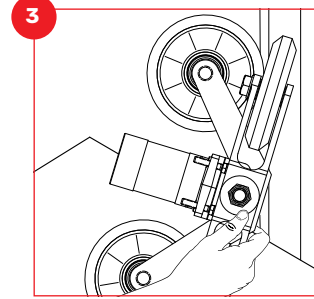
For optimum performance and longer roller wheel life, we recommend that elevator rails be properly aligned and cleaned, and the car balanced before operation. ELSCO roller guides are carefully assembled, inspected, and

1 The Model A Guide includes:

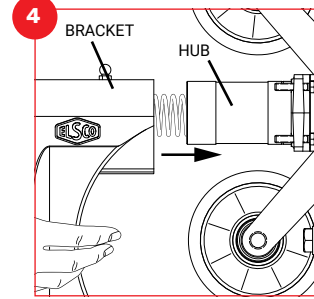
- › Mounting Bracket
- › Wheel Cluster Assembly
- › Spring
- › Hub Adjustment Screw Assembly - already pre-assembled on the bracket



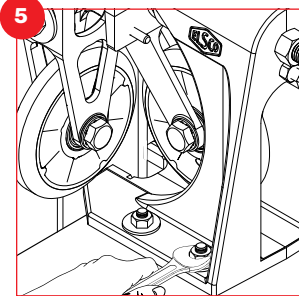
After verifying the proper location of the mounting holes (refer to mounting template), insert the spring into the hub.



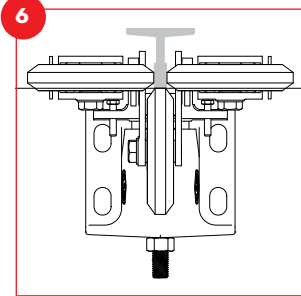
Position the uppermost roller wheels of wheel cluster assembly onto the rail, and while maintaining pressure against the rail, roll entire assembly upward until face roller wheels are firmly seated on the rail.



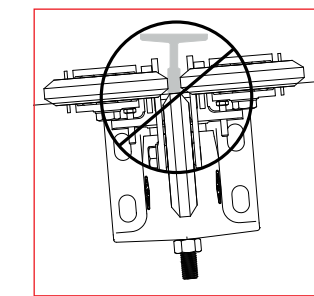
Place bracket onto the hub of wheel cluster assembly.



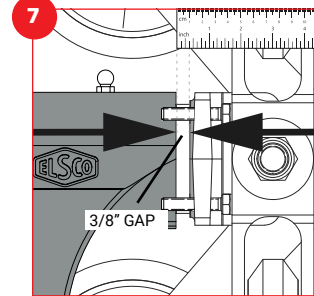
Position bracket over mounting holes or studs. Align the front face of the rail with the scribe line. Install mounting hardware (not included with guide) as required. Tighten lightly to hold bracket in place prior to final adjustment.



Be sure guides are aligned properly (as shown) before making any further adjustments.

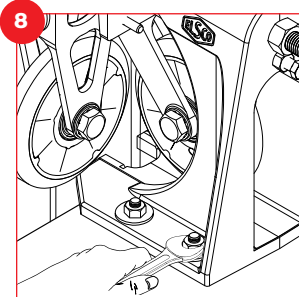


Improper alignment.

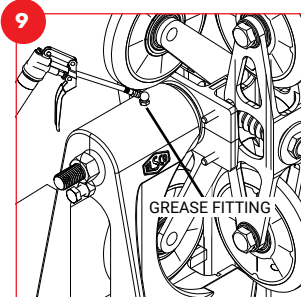


Set 3/8" (9.5 mm) gap between wheel cluster assembly and bracket following the markings on the hub.

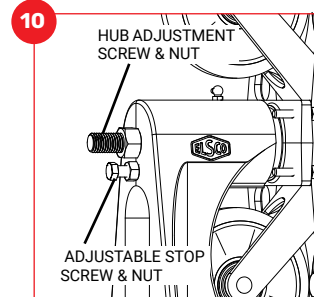
Note: Be certain that both face roller wheels are firmly seated against the rail while making this adjustment.



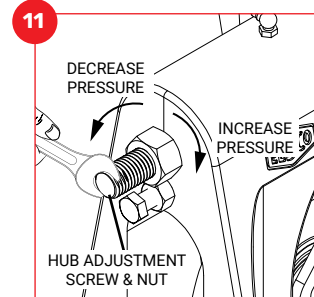
Securely tighten mounting bolts. Repeat steps 7 and 8 on remaining guides before proceeding. This helps assure that the elevator car will be properly centered between the rails.



At this point lubricate the fitting on each guide with general purpose grease until a small amount appears between the hub and the bracket.

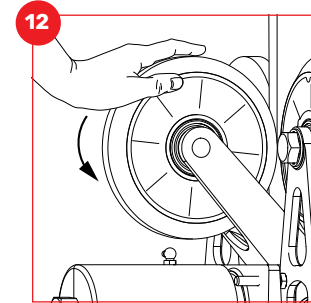


The Model A guide comes with pre-installed hub adjustment and adjustable stop screws and locking nuts. The adjustable stop screw is pre-set at the factory for optimized float control.



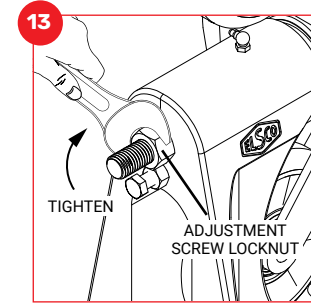
To adjust the wheel pressure on the rail, back the hub adjustment nut off about half way down the hub adjustment screw. Turn the hub adjusting screw in 4 turns. This represents approximately 50 lbs (25 kg) of wheel pressure.

packed to arrive in perfect condition. When your shipment arrives, inspect it carefully for damage and, if appropriate, immediately file a claim with the carrier. For best results, read all instructions thoroughly before proceeding with the installation.



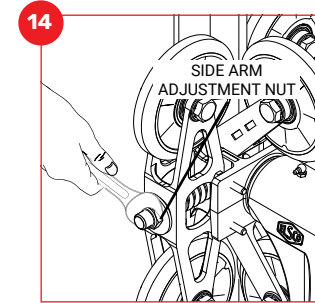
When properly adjusted, it will be possible to skid the face roller wheel by hand with moderate effort.

Note: If installing guides equipped with polyurethane roller wheels, refer to step 21 for allowable wheel pressures.



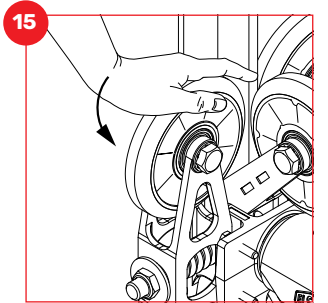
Be certain that both the face wheel pressure and the recommended gap measurement (refer to step 7) are equal for each guide.

Now, tighten the hub adjustment screw locknut.

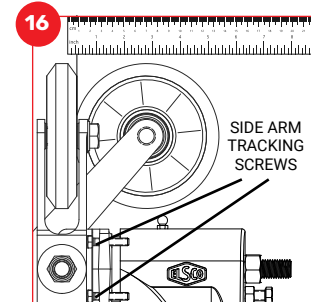


Adjust side arm roller wheel pressure. Turn side arm adjustment nuts until side roller wheels are compressed 1/32" - 1/16" (1-2 mm), and face wheels are tracking in the center of the rail.

Note: If installation guides are equipped with polyurethane roller wheels, refer to step 21 for allowable wheel pressures.

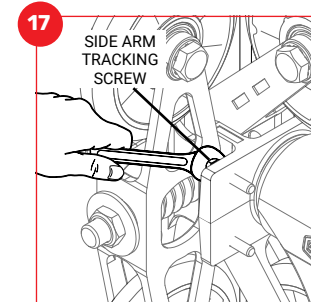


At this point, there will be 25 - 50 lbs (12 - 25 kg) of pressure on each side roller wheel and the wheels can be skidded by hand on the rail with moderate effort.



Each pair of side arm roller wheels should track parallel to the face of the rail. The distance from the edge of each roller wheel to the face edge of the rail should be the same at both the top and bottom wheels of each pair.

Note: The side arm tracking screws are pre-set at the factory and should need no further adjustment.

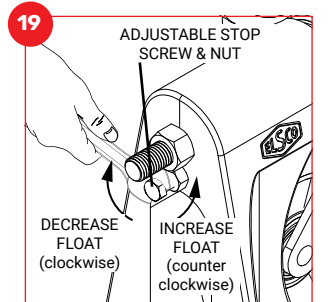


If it is necessary to adjust the side arm tracking, turn the side arm tracking screws until top and bottom roller wheels are parallel to the face rail.

Note: If adjusted correctly, tracking screws should not restrict float or walking beam action of side arm assembly.

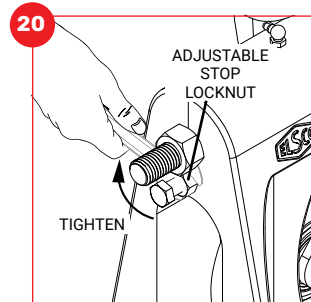
18 Repeat steps 10 through 17 for each remaining roller guide.

If fine tuning for Float Adjustment is required, proceed with steps 19 and 20.



If fine tuning for float adjustment is required, turn the adjustable stop screw clockwise to decrease float or, turn adjustable stop screw counterclockwise to increase float.

Note: Each full turn equals 1/14" (1.8 mm).



When the desired amount of postwise float is set, tighten the adjustable stop locknut securely while holding adjustable stop screw in place.

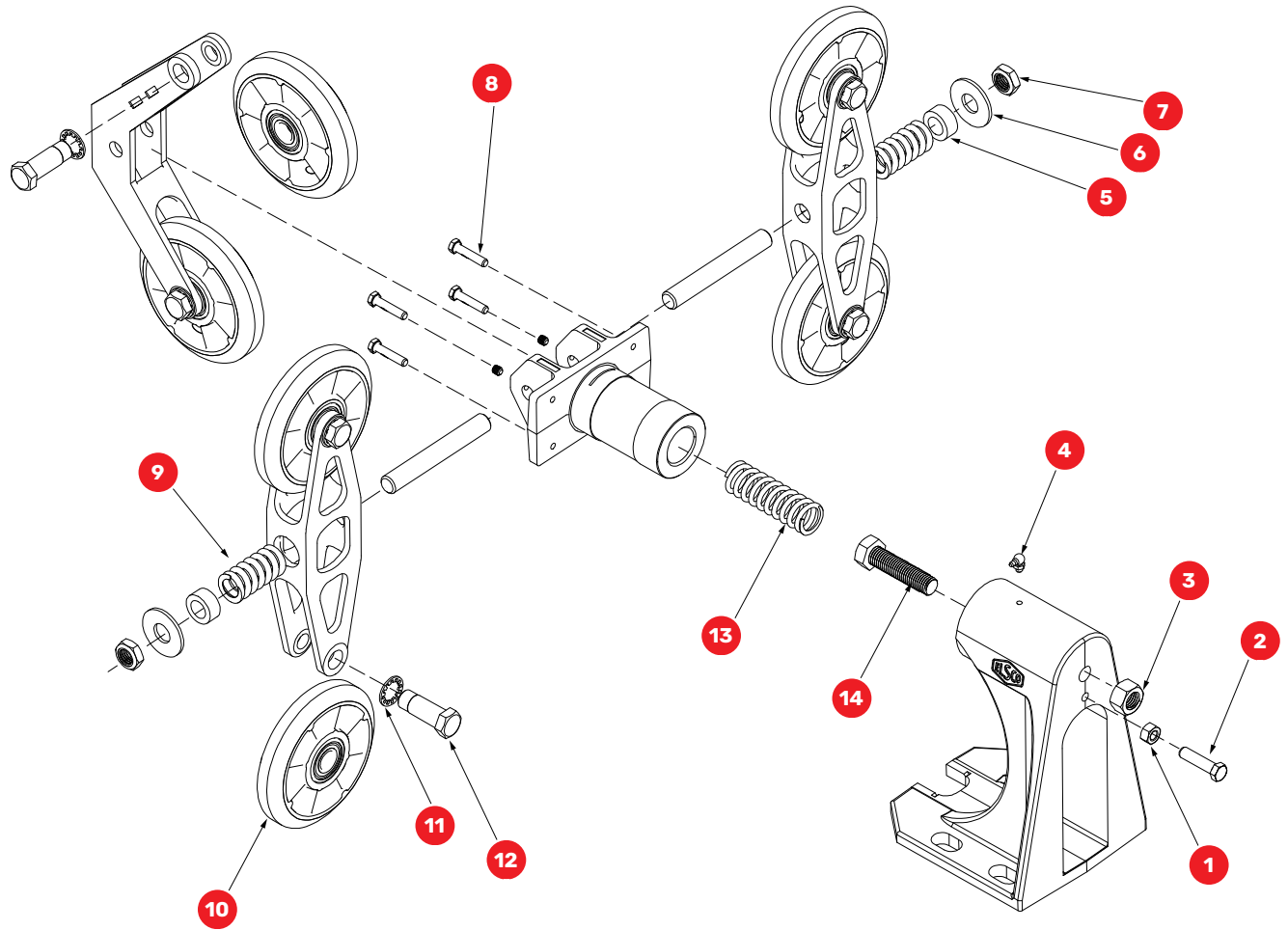
If installing guides equipped with polyurethane roller wheels, refer to step 21 for pertinent information.

21 ELSCO's optional polyurethane roller wheels are made from a hard polymer material intended for use on lower speed elevators where the roller wheel pressures exceed those specified for neoprene composition wheels (25 - 50 lbs, or 12 - 25 kg). The red roller wheels have a durometer of 95 Shore A and the green roller wheels have a durometer of 80 Shore A.

While polyurethane roller wheels can operate at pressures up to 300 lbs (140 kg) per wheel, it is advisable to keep static pressure as low as possible to prevent flat spots from forming while the elevator is sitting. Flat spots can adversely affect ride quality by causing a rough and/or noisy ride. At higher pressures, it may not be possible to skid the roller wheels by hand.

22 After all adjustments have been made, ride elevator in both the up and down direction at inspection speed to check hoistway clearances. Check to be sure that all mounting bolts and/or nuts, and adjustment locknuts are securely tightened. Make several more runs at operating speed, then recheck float, tracking and roller wheel pressures before returning elevator to service.

MODEL A ROLLER GUIDE SERVICE PARTS LIST



| KEY | REQ. | PART # | DESCRIPTION |
|-----|------|---|-------------------------|
| 1 | 1 | EC18484 | Nut |
| 2 | 1 | EC18483 | Adjustable Stop Screw |
| 3 | 1 | EA20482 | Nut |
| 4 | 1 | EA18362 | Grease Fitting |
| 5 | 2 | EA18307 | Sleeve |
| 6 | 2 | EA18373 | Flat Washer |
| 7 | 2 | EA18376 | Locknut |
| 8 | 4 | EA19388 | Side Arm Tracking Screw |
| 9 | 2 | EA18379 | Side Arm Spring |
| 10 | 6 | See Roller Wheel Configuration Options | |
| 11 | 6 | EA18388 | Lock Washer |
| 12 | 6 | EA18375 | Wheel Stud |
| 13 | 1 | EA18380 | Hub Spring |
| 14 | 1 | EA20481 | Hub Adjustment Screw |

ROLLER WHEEL CONFIGURATIONS

Typical Installations

| ASSEMBLY | QTY | PART # | DESCRIPTION |
|----------|-----|---------|---------------------------------|
| EA18300 | 6 | EA18359 | 6" Black Neoprene Roller Wheels |

Heavy-Duty Installations

| ASSEMBLY | QTY | PART # | DESCRIPTION |
|----------|-----|---------|--|
| EA18387 | 6 | EA18382 | 6" Green Polyurethane Roller Wheel with 1/2" tread for face and side arm |
| EA18306 | 2 | EA18348 | 6" Red Polyurethane Roller Wheel with 1/2" tread for face arm |
| | 4 | EA18347 | 6" Red Polyurethane Roller Wheel with 7/8" tread for side arm |

© ELSCO 2024 | Model A Installation and Parts Guide | 0004 U.S. Patent No.11,407,615