

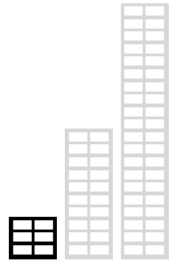


MODEL E

R O L L E R G U I D E S

RIDE QUALITY, ON A BUDGET.

ELSCO MODEL E ROLLER GUIDES PROVIDE AN ECONOMICAL, RIDE-QUALITY-ORIENTED SOLUTION FOR LIGHT- TO MODERATE-CAPACITY HYDRAULIC ELEVATORS. THEIR LIGHT WEIGHT AND COMPACT DESIGN MAKE FOR EASY INSTALLATION. ALTHOUGH MODEL E GUIDES ARE NOT SPRING-LOADED, THEY REMAIN ADJUSTABLE WITHIN A 1/8" (3MM) RANGE, AND THEY EMPLOY THE SAME RIDE-QUALITY-IMPROVING NEOPRENE WHEELS AS THE REST OF THE ELSCO LINE.



A typical installation:
Passenger Elevator Cabin guides for
Low-Rise Traction Elevator.
Speed: 100 fpm (0,5 m/s).
Capacity: 2,500 lbs. (1.100 kg).

FEATURES OF THE MODEL E GUIDE:

1. Neoprene Rubber Roller Wheels

are specially compounded and rigorously tested to ensure a smooth, silent ride. Only genuine ELSCO neoprene wheels provide the damping characteristics essential to ride quality, and only genuine ELSCO wheels are engineered with high "memory" characteristics that prevent flat spots. ELSCO rollers are precision ground to within .002 inches (.051mm) "Total Indicator Reading" for perfect roundness and concentricity, then 100% inspected under stress to ensure a secure bond between tire and hub.

2. Precision Ball Bearings

guarantee years of silent use. ELSCO specifies bearings intended for the high RPMs and demanding loads of electric motors – conditions far more rigorous than typically seen in elevator applications. This means that even after years of operation and tens of millions of cycles, only ELSCO roller wheels remain completely silent. Each bearing bore is machined to a tolerance of three ten-thousandths (.0003) of an inch (.0076mm), and two bearings are pressed into each wheel by a computer-driven press, ensuring perfect fit and alignment.

3. Eccentric Wheel Axle Bolts allow each wheel to be adjusted within a 1/8" (3mm) range. This eases installation, and helps to compensate for misaligned rails or unbalanced cars.

4. Durable Structural Components.

ELSCO castings are made from high-tensile-strength ductile iron and aluminum for an optimal combination of strength, durability, and light weight. High quality guide hardware ensures long life and ease of adjustment in the field. All components are inspected and assembled to exacting standards for a lifetime of reliable performance.

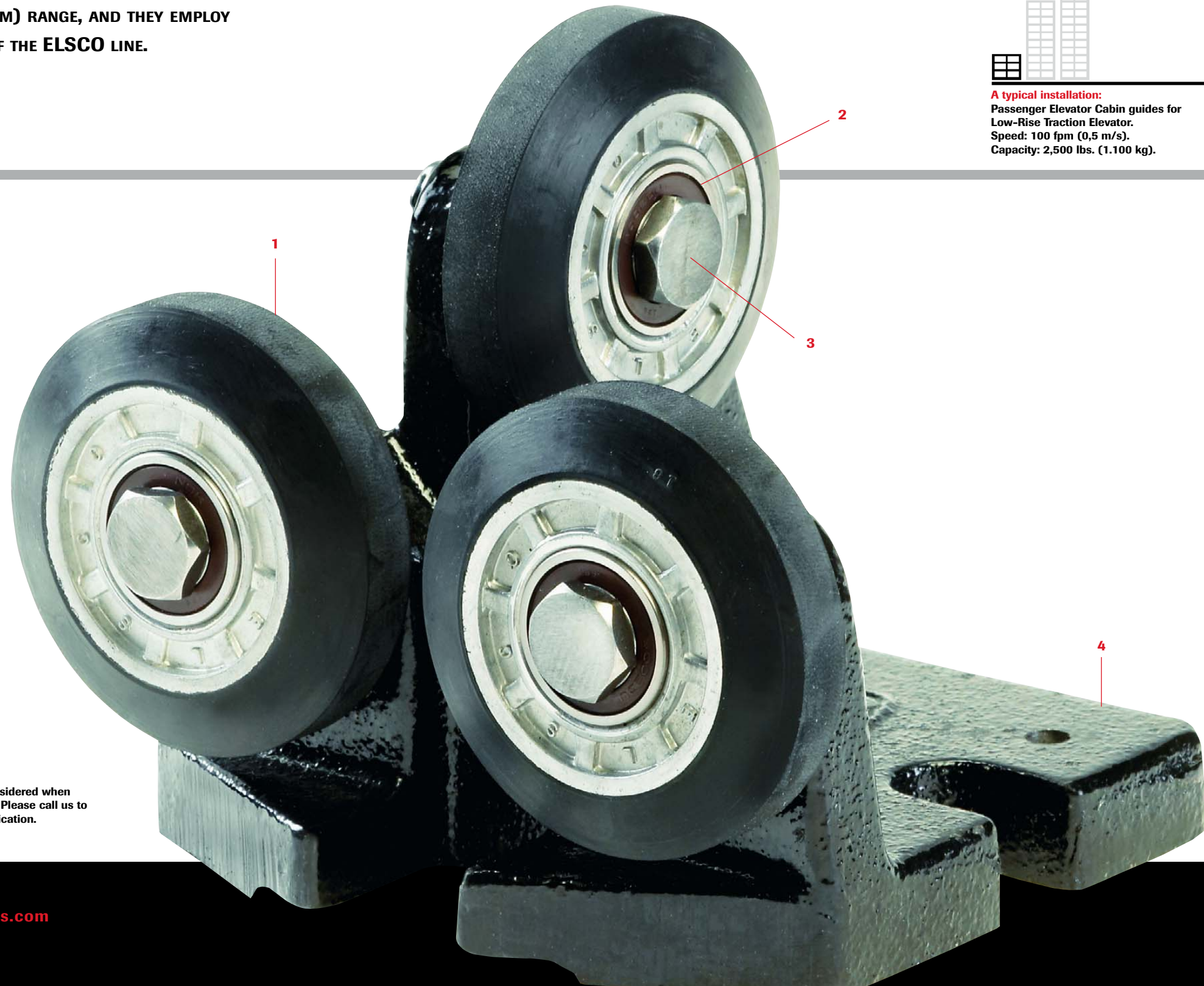
ELSCO roller guides and swivel sliding guide shoes offer a cost-effective approach for improving elevator ride quality by reducing the need for expensive, labor-oriented solutions and ongoing maintenance. That's why, to elevator contractors around the world, the ELSCO name is synonymous with quality and value. At ELSCO, We are ride quality.

◀ See inside for mounting instructions.

Many factors must be considered when making a guide selection. Please call us to discuss your specific application.

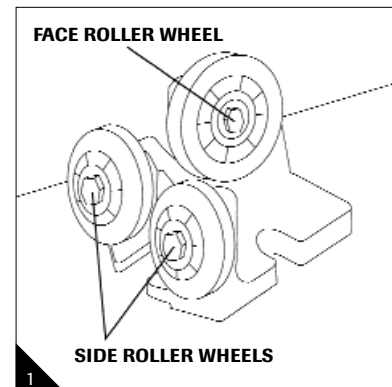
ELSCO

410.363.9020
info@elscoguides.com

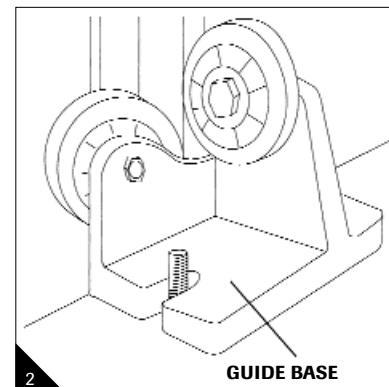


ELSCO Model E Roller Guides are designed for cost effective operation on low rise, light to moderate capacity hydraulic elevators. The installer can make a number of simple adjustments to the Model E guide to help minimize noise, bumps and vibration. For optimum performance and longer roller wheel life, we recommend that elevator rails be properly aligned and cleaned, and the car balanced before operation.

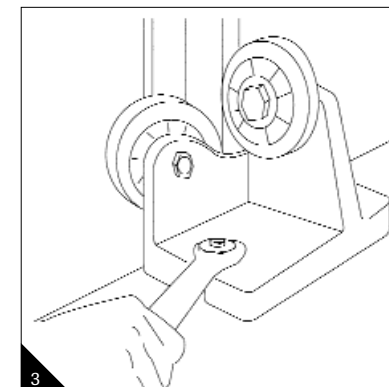
ELSCO roller guides are carefully assembled, inspected, and packed to arrive in perfect condition. When your shipment arrives, inspect it carefully for damage and, if appropriate, immediately file a claim with the carrier. For best results, read all instructions thoroughly before proceeding with installation.



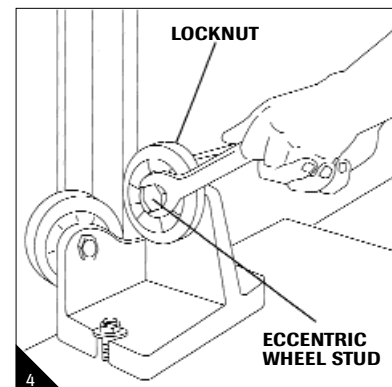
The Model E Guide comes completely assembled.



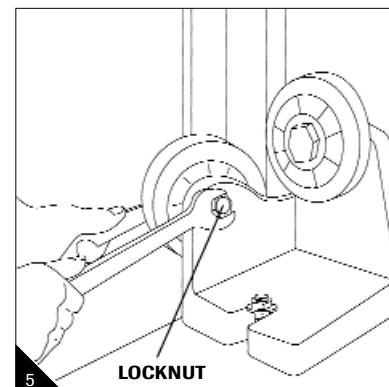
After verifying the proper location of the mounting holes (refer to mounting template), position guide base over mounting holes or studs with the face roller wheel seated against the rail.



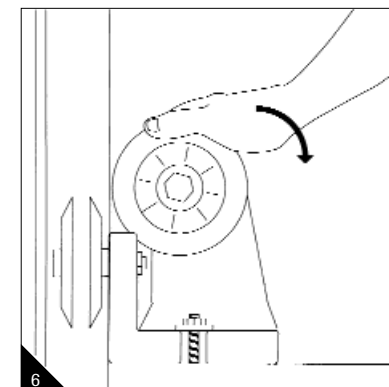
Install mounting hardware (not included). Securely tighten mounting bolts and/or nuts. At this point, install the remaining guides on top and/or beneath the elevator.



To adjust face roller wheels, loosen locknut and turn the eccentric wheel stud to increase or decrease wheel pressure against the rail. When the face roller wheel is properly positioned, tighten locknut.



Adjust roller wheel pressures in the same manner as step 4, while keeping the face roller wheel tracking in the center of the rail. When the side roller wheels are properly positioned, tighten locknuts.



When properly adjusted, all roller wheels should be compressed $1/32$ " to $1/16$ " (1 to 2mm), which represents approximately 25 to 50 lbs. (12 to 25kg) of wheel pressure. At this pressure, it will be possible to skid the roller wheels by hand with moderate effort.

If installing guides equipped with polyurethane wheels, refer to step 7 for pertinent information.



ELSCO's polyurethane roller wheels are a hard (95 Shore A durometer) polymer material intended for use on lower speed elevators when the roller wheel pressures exceed those specified for neoprene composition wheels (25 to 50 lbs, or 12 to 25kg).

While polyurethane roller wheels are capable of operating at higher pressures, it is advisable to keep static pressure as low as possible to prevent flat spots from forming while the elevator is sitting. Flat spots can adversely affect ride quality by causing a rough and/or noisy ride. At higher pressures, it may not be possible to skid the wheels by hand.

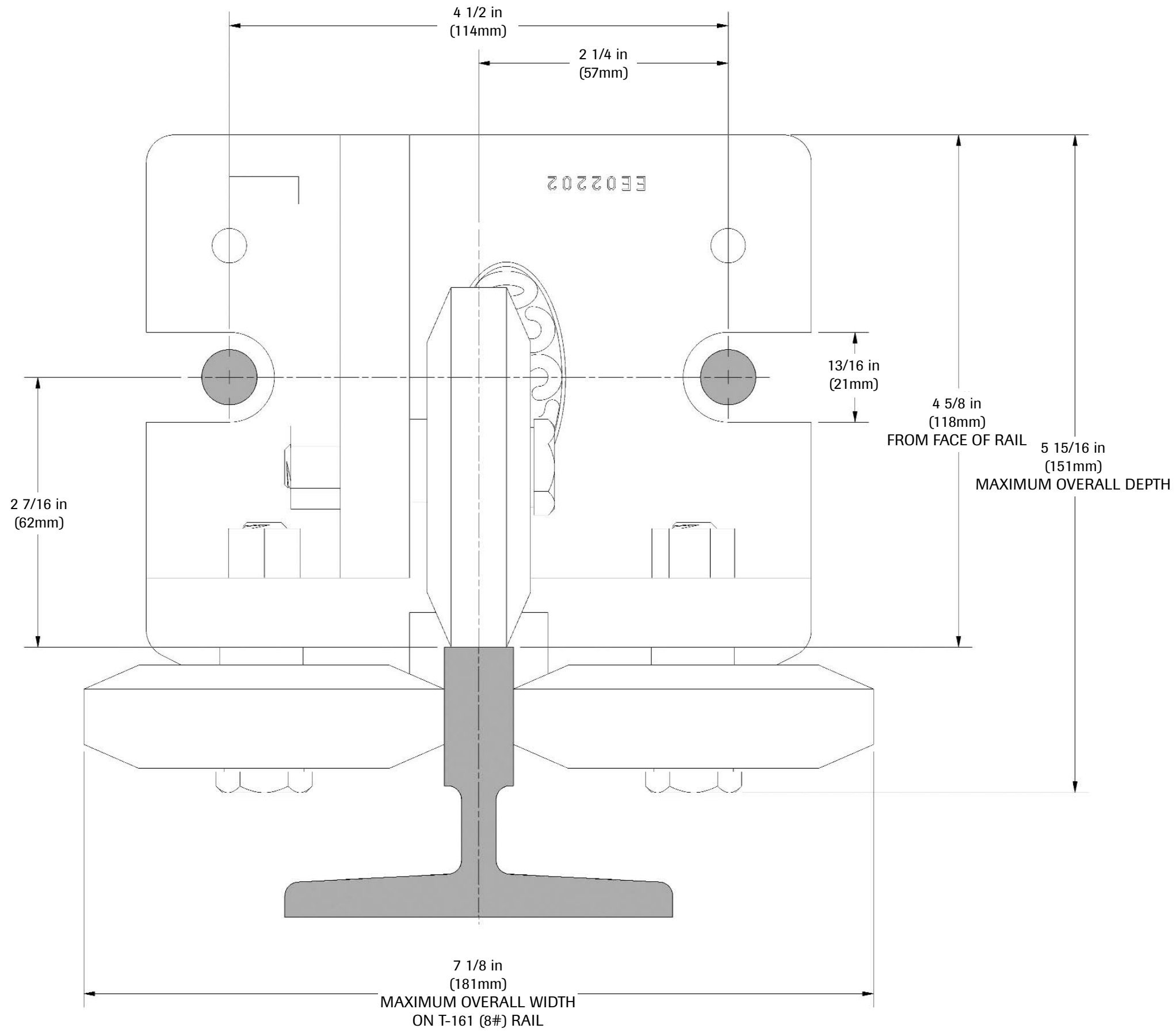


After all adjustments have been made, ride elevator in both the up and down direction at inspection speed to check hoistway clearances. Check to be sure that mounting bolts and/or nuts, and adjustment locknuts are securely tightened. Make several more runs at operating speed, then recheck tracking and roller wheel pressures before returning elevator to service.



TEMPLATE SHOWN ACTUAL SIZE

Model E
Mounting Template





SPECIFICATIONS

Size and Weight

Height, Overall	6-1/4"	(159mm)
Width, Overall	7-1/8"	(181mm)
Depth, Overall Maximum	5-15/16"	(151mm)
Shipping Weight	11-1/2 lbs.	(5,2kg)

Mounting Bolt Holes

Two Slots3/4"	(19mm)
Bolt Hole Locations	Refer to Mounting Template	

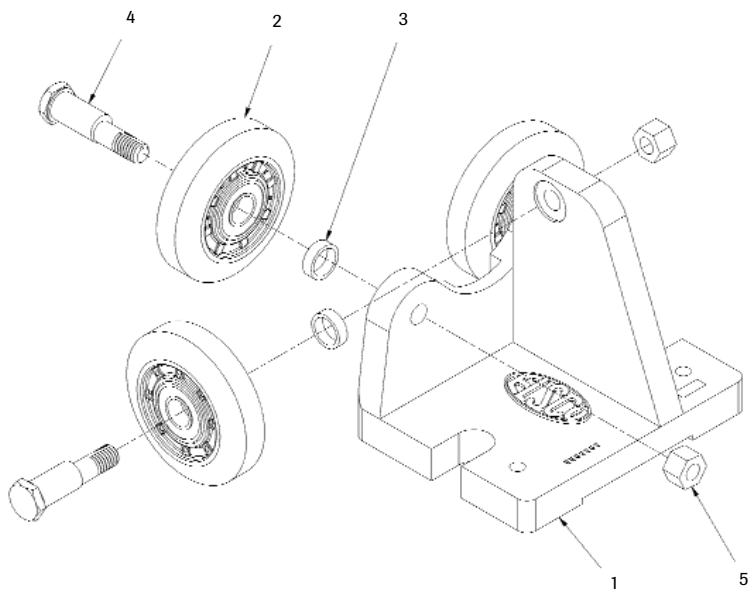
Roller Wheels

Thickness	15/16"	(24mm)
Neoprene Tread Width	1/2"	(13mm)
Polyurethane Tread Width	1/2"	(13mm)
Diameter	3-1/4"	(83mm)
Bearing I.D.	0.5906"	(15mm)
Runout (Total Indicator Reading)	0.002"	(.051mm)

Options and Factory Modifications Available

•Polyurethane composition roller wheels can be used to replace standard neoprene wheels in selected applications. Refer to the ELSCO guide selector chart or call an ELSCO guide specialist to determine proper applications. See our Frequently Asked Questions (FAQ) for more information about the trade-offs between neoprene and polyurethane wheel compositions.

PARTS LIST



Model E Roller Guide

Key	Req.	Part #	Description
1	1	EE02202	Base
2	3	Roller Wheel	- See Roller Wheel Options Below
3	3	EC18435	Spacer
4	3	EE02205	Wheel Stud
5	3	EE02206	Locknut
Standard Roller Wheel Configuration for Typical Installations:			
2	3	EE02203	Standard Neoprene Roller Wheel Assembly, 3.25 in. (83mm), Model E
Polyurethane Roller Wheel Configuration for Heavy-Duty Installations:			
2	3	EE02209	Polyurethane Roller Wheel Assembly, 3.25 in. (83mm), Model E

Notes:

Top Level Assembly for Model E Roller Guide with Std. Neoprene Rollers is EE02200.
 Top Level Assembly for Model E Roller Guide with Polyurethane Rollers is EE02210.